



Compressed Air Dryer

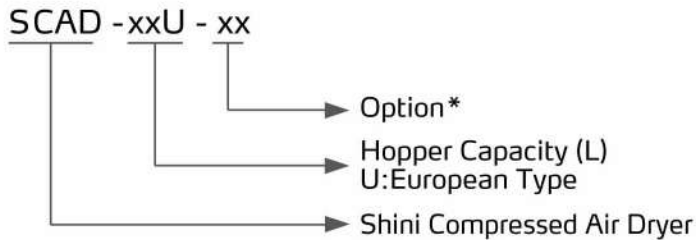
SCAD-12U



Refer carefully to this manual before operation.

SCAD-U Series

■ Coding Principle



■ Features

- P.I.D. temperature controller with LCD can reach an accuracy of ± 1 , and is easy to operate.
- The weekly timer with an auto On/Off function.
- The unit utilizes compressed air to dry plastic materials with a good and stable drying effect, and it is not influenced by ambient temperature and humidity.
- Compressed air pressure detection lets the unit operate smoothly and safely.
- Temperature control with an SSR relay can effectively prolong the unit's lifespan.
- The controller has built-in overheat protection to avoid excessively high drying temperatures.
- The unit has a built-in warning light that can visualize the status of the unit.
- It has an RS485 communication interface to realize remote monitoring or automatic production.
- The visualized drying hopper of SCAD -1~6U adopts a double-layer high-temperature-resistant tube.
- SCAD-1~6U has an air discharge filter before the dry air is released outside.
- The double-layer drying hopper of SCAD-12~40U is made of stainless steel to ensure no material contamination and prevent heat loss.
- SCAD-12~40U has a pipe heater temperature protector to prevent the unit from overheating or dry burning.

■ Options

- Entry-level dew point monitor, and add "Y.D." at the end of the model code.
- VAISALA dew point monitor, and add "D" at the end of the model code.
- For the unit with a polished hopper inside (only for SCAD-12U and above), add "P" at the end of the model code.
- Add "H.D." at the end of the model code for a heatless regenerative air dryer.



SCAD-3U



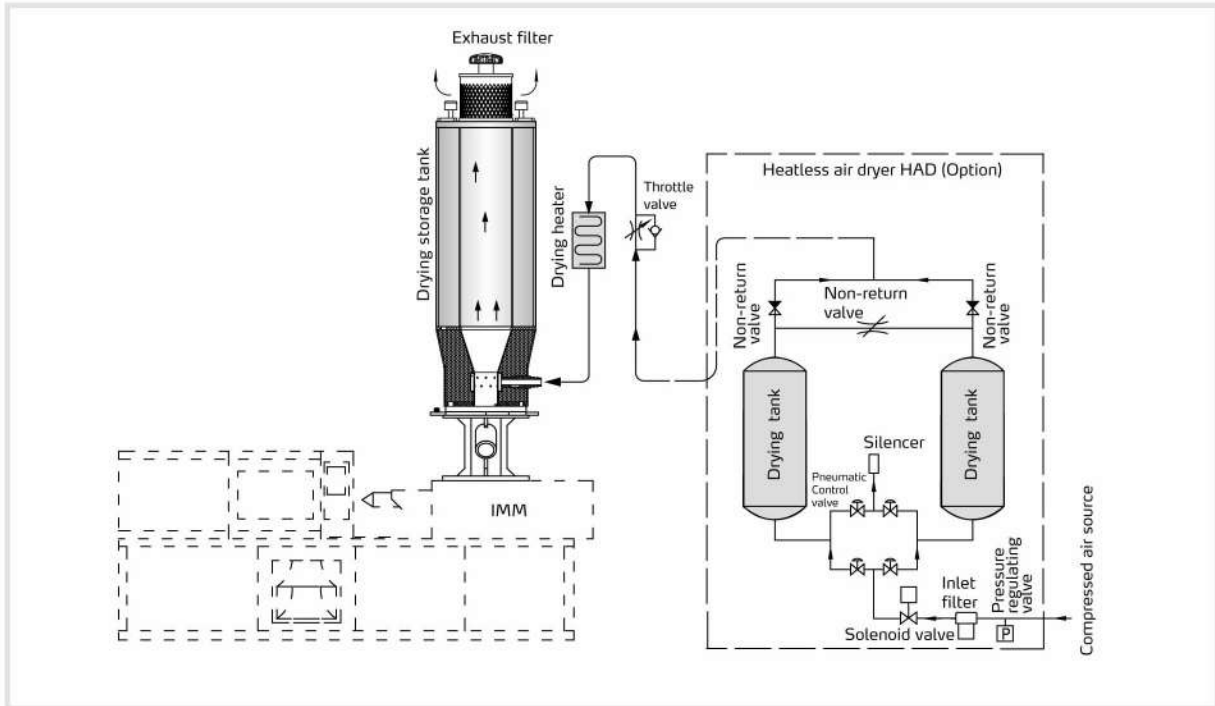
SCAD-20U-HD



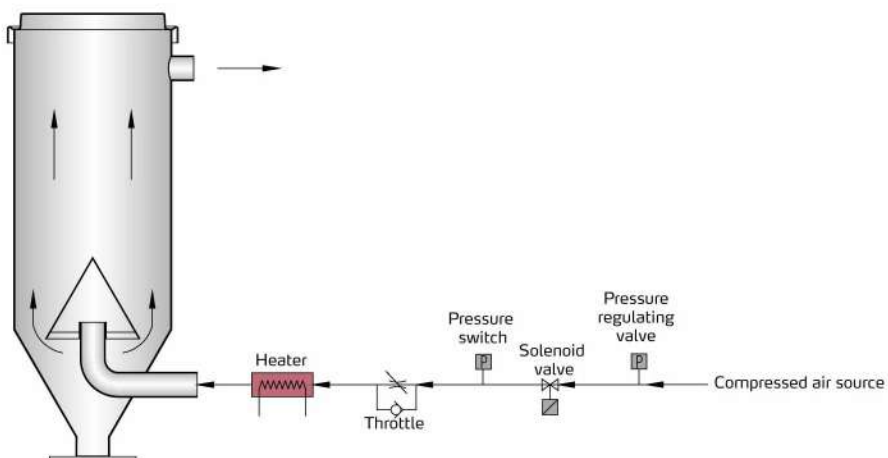
Control Panel

■ Application

Applicable for small batch drying of commonly-used engineering plastics such as ABS and PS, also suitable for pre-heating treatment before plastics molding.

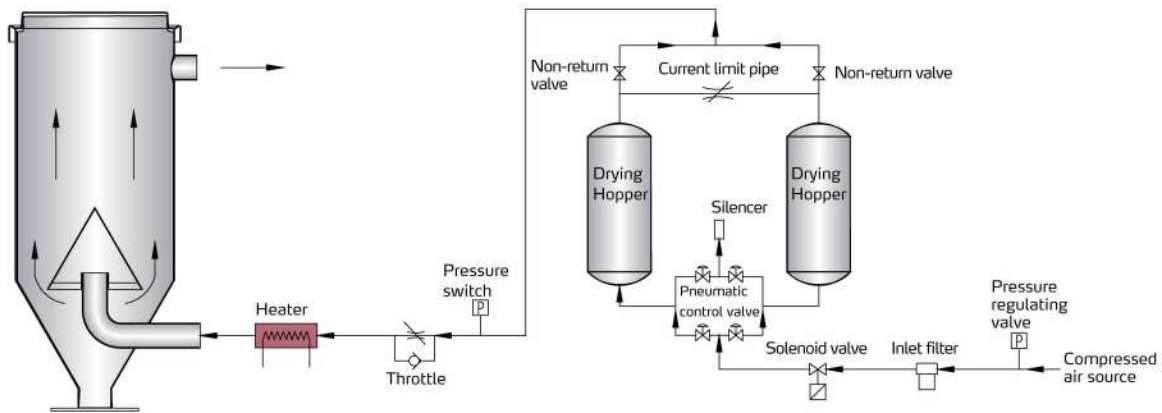


■ Working Principle

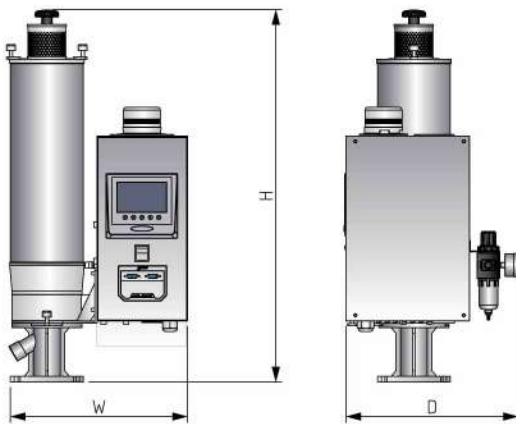


SCAD-U Series

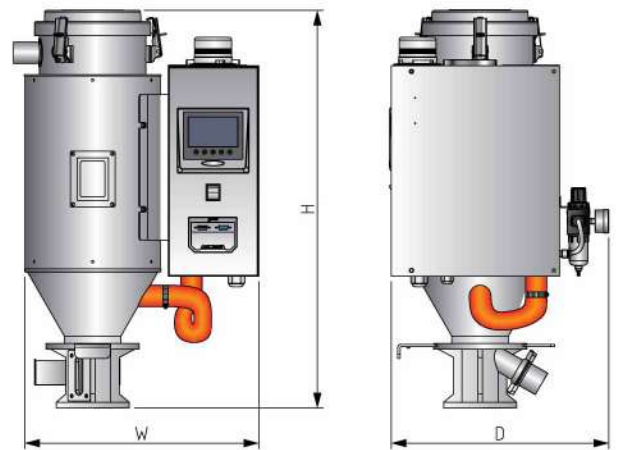
SCAD-U-HD Working Principle



Outline Drawings



SCAD-6U and Models Below



SCAD-12U and Models Above

Specifications

Model	Drying Temp. max (°C)	Drying Hopper Capacity (L)	Heater Power (W)	Pressure Air		Dimensions (mm) (H × W × D)	Weight (kg)
				Pressure (kgf/cm ²)	Air Consumption (m ³ /hr)		
SCAD-1U	140	1	300	6-10	2.4	664 × 316 × 308	10
SCAD-3U		3			3.0	693 × 316 × 308	13
SCAD-6U		6			3.75	880 × 316 × 308	15
SCAD-12U		12	600		4.25	710 × 418 × 391	25
SCAD-20U		20			7	907 × 470 × 388	30
SCAD-40U		40			1200	14	1117 × 510 × 404

Notes: 1) Compressed air: in accordance with the international standard for compressed air quality ISO8573.1, grade 4

2) Power supply: 1Φ, 230VAC, 50Hz / 60Hz

We reserve the right to change specifications without prior notice.

Shini Group

Addr: No. 23, Minhe St., Shulin Dist.,
New Taipei, Taiwan

Tel: +886 2 2680 9119

Fax: +886 2 2680 9229

Email: shini@shini.com

Factories:

- Taiwan
- Dongguan
- Pinghu
- Ningbo
- Chongqing
- Pune

2023-03-15-04 Copyrights Reserved.

www.shini.com