



PET Crystallizer

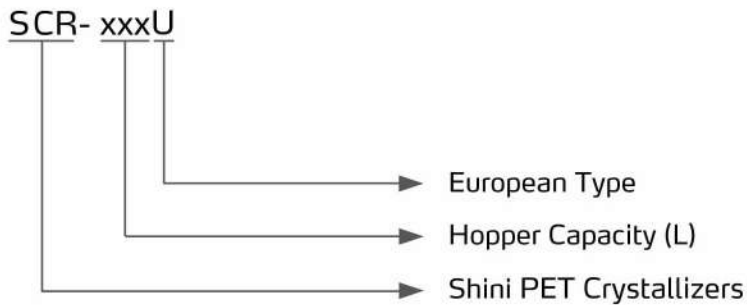
SCR-450U



Refer carefully to this manual before operation.

SCR Series

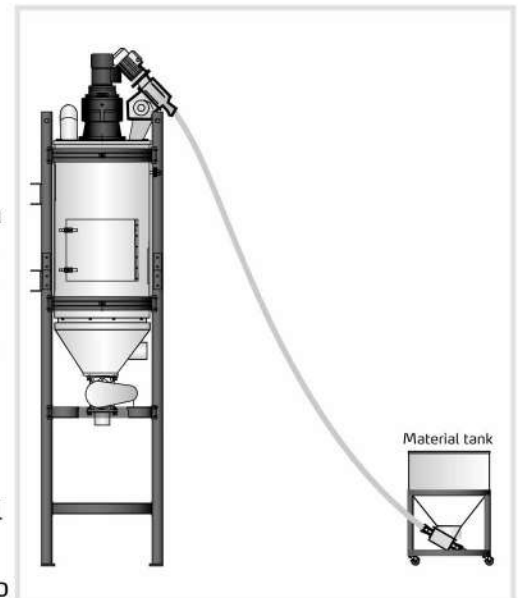
■ Coding Principle



Inner Structure

■ Features

- Fixed speed of agitator makes materials not lump together during the crystallization.
- Simplify and improve drying efficiency.
- Materials can be dried under high temperature to improve drying efficiency.
- Cyclone dust collector is standard, which is applied to dust-rich place. Can effectively reduce the load on filter bag, and reduce the number of times of filter bag cleaning, thus extend the life span of the filter bag.
- With double overheat protector, it can reduce the possibility of either mechanical or man-made problems.
- Equipped with rotary valve with good sealing performance, which can output crystallized material accurately.
- Equipped with material level switch, which can detect material level accurately and make operation reliable.
- Equipped with negative pressure tester(excluding SCR-1600U) to immediately test the ventilation of the filter. Give an alarm when the negative pressure is higher than the setting value, clean the filter to avoid blockage.



Flexible Screw Feeder

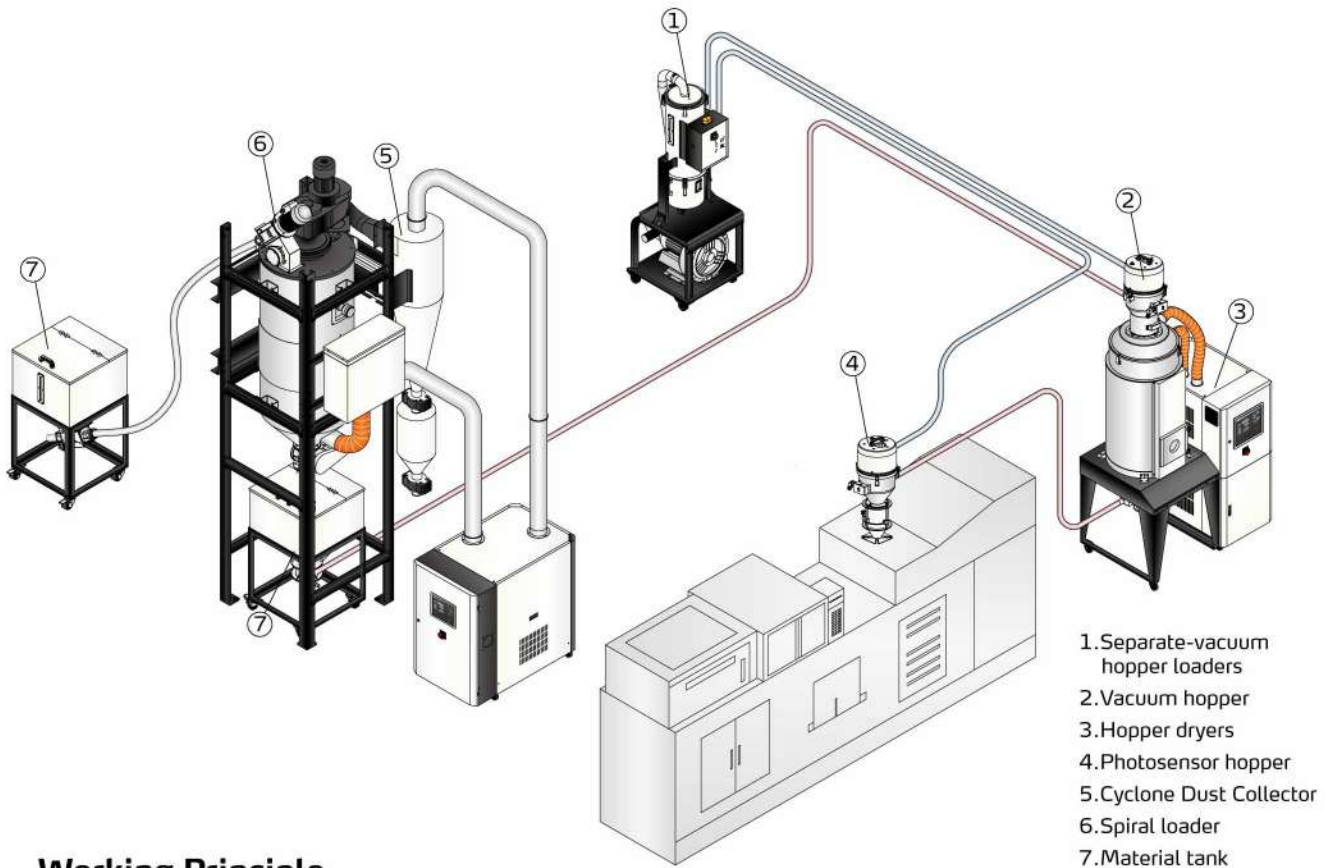
■ Options

- Safety ladder is optional(only for SCR-900U and above models).Add "ML"at the end of the model code.
- External pipeline is optional with the stainless steel configuration.Add "SP"at the end of the model code.

■ Application

The PET crystallizer applies crystallizing material from amorphous states to crystalline states, such as PET, PLA, etc. A characteristic of amorphous materials is that they tend to soften and agglomerate at drying temperatures, forming clumps and adhering to the walls of a drying hopper. Crystallize amorphous material prior to drying to prevent this agglomeration from occurring.

Option with the dehumidifying dryer to form a group of the crystallizing dehumidifying drying combination system.



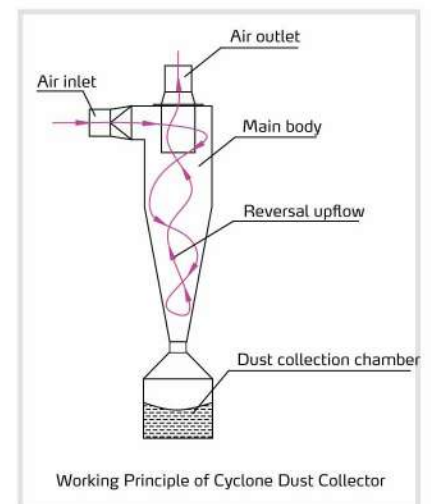
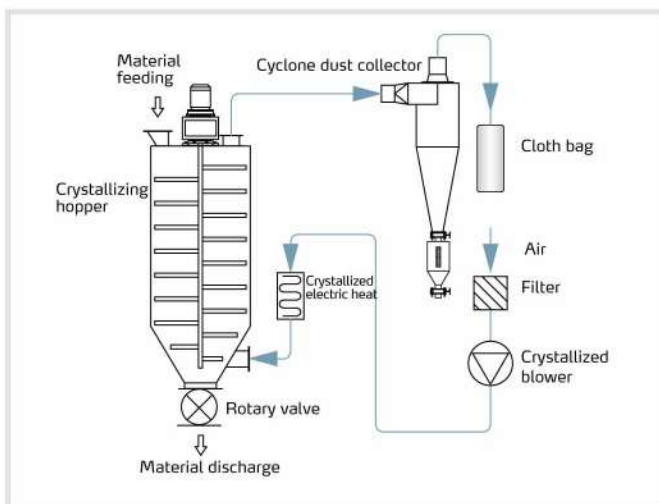
1. Separate-vacuum hopper loaders
2. Vacuum hopper
3. Hopper dryers
4. Photosensor hopper
5. Cyclone Dust Collector
6. Spiral loader
7. Material tank

Working Principle

As the material filling starts (crystallized material is used at the beginning of the process), the blower starts, and material heating begins. The controller will stop material conveying when the material level reaches the high material level switch.

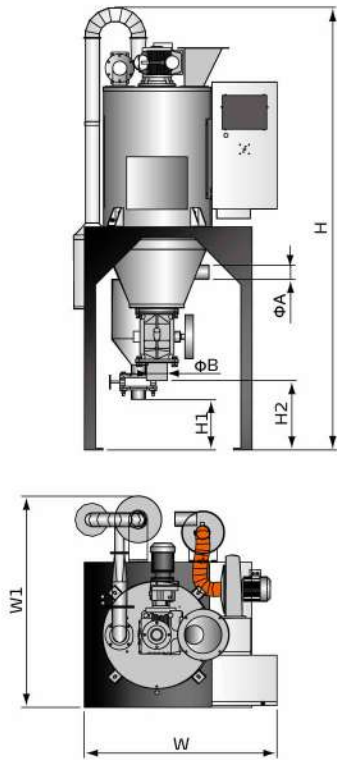
Then, the material goes through a heating process. The material is discharged via the feeding device when the return air thermocouple reaches the temperature set value. Meanwhile, as the hopper's material level gradually lowers, the loader refills the un-crystallized material accordingly to realize the continuous crystallization process.

When the thermocouple temperature drops below the set value of the discharge end. The feeding device halts. Suppose the temperature rises again to reach the set temperature. In that case, the feeding device will be activated again to work so that the continuous crystallization process can be realized through the repeated process.

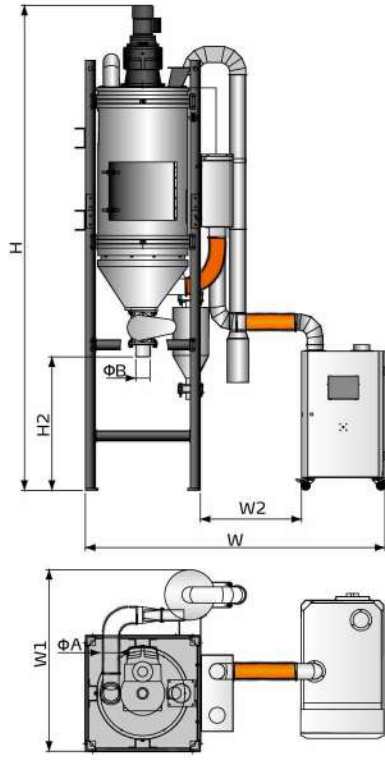


SCR Series

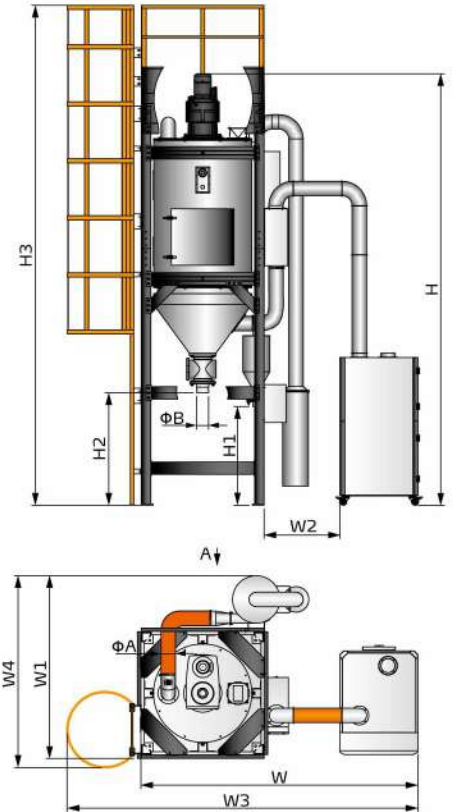
Outline Drawings



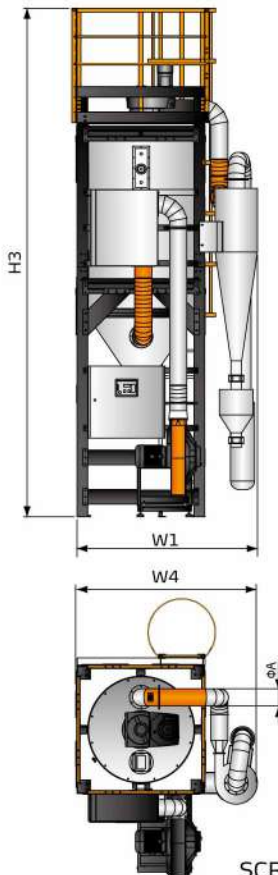
SCR-160U



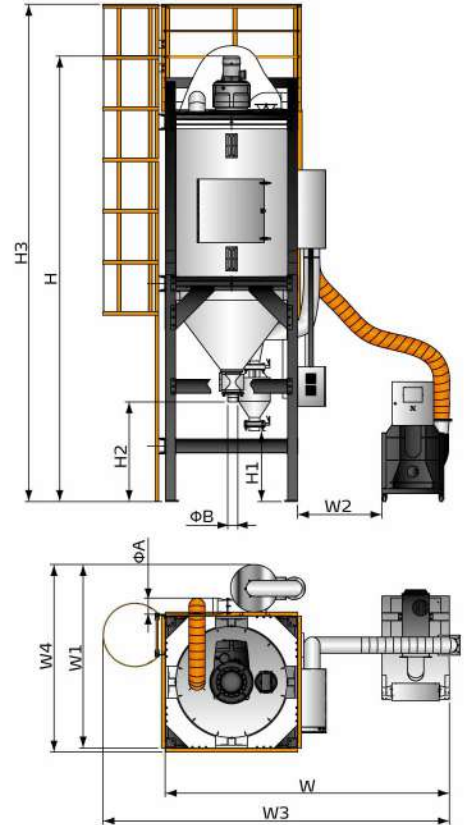
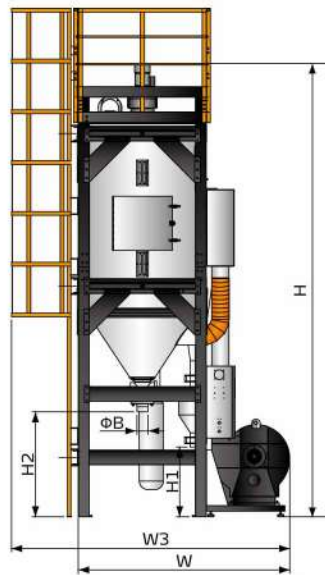
SCR-450U



SCR-900U (Maintenance ladder is optional)



SCR-1600U (Maintenance ladder is optional)



SCR-2500U (Maintenance ladder is optional)



■ Specifications

Model	SCR-160U	SCR-450U	SCR-900U	SCR-1600U	SCR-2500U
Heater Power(kW)	12	24	48	96	128
Blower Power(kW, 50/60Hz)	0.55	2.2	3.7	7.5	15
Blending /Motor Power (kW, 50 / 60Hz)	0.25	0.55	1.5	2.2	4
Max. Throughput(kg/hr)	50	150	300	500	750
Hopper Capacity(L)	160	450	900	1600	2500
H (mm)	2810	3850	4550	5350	5710
H1 (mm)	740	720	1040	820	890
H2 (mm)	805	1060	1185	1240	1270
H3 (mm)	-	-	5260	6010	6260
W (mm)	1040	2370	2950	2510	3700
W1 (mm)	1140	1440	1930	2160	2310
W2 (mm)	-	800	800	-	800
W3 (mm)	-	-	3700	3295	4400
W4 (mm)	-	-	2020	2200	2360
ΦA (inch)	3	5	6	8	8
ΦB (inch)	4	4	5	5	5
Weight(kg)	235	500	865	2290	2790
Flange mount hole (mm)	180×180	180×180	180×180	180×180	180×180
Maintenance ladder (optional)	-	-	ML-900	ML-1600	ML-2500
Options	Virgin plastics	SHR-U/SAL-UG			
	Recycled plastics	SSC			

Notes: 1) Above maximum processing capacity is based on uncrystallized PET material of 0.85kg/L in density and 3-5mm in diameter.
2) Power: 3Φ, 230 / 400 / 460 / 575VAC, 50 / 60Hz.

We reserve the right to change specifications without prior notice.

Shini Group

Addr: No. 23, Minhe St., Shulin Dist.,
New Taipei, Taiwan

Tel: +886 2 2680 9119

Fax: +886 2 2680 9229

Email: shini@shini.com

Factories:

- Taiwan
- Dongguan
- Pinghu
- Ningbo
- Chongqing
- Pune

2022-09-15-04 Copyrights Reserved.

www.shini.com