



"Standard" Hopper Dryer

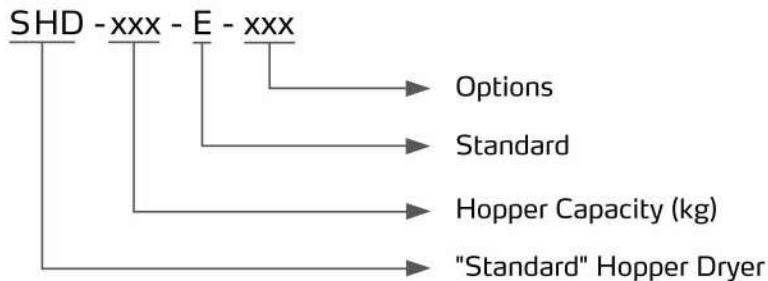
SHD-50E



Refer carefully to the manual before operation.

SHD-E Series

■ Coding Principle



■ Features

- Adopt hot air diffuser to keep plastics dry and temperature stable, thus improve drying efficiency.
- All material contact surfaces are made of stainless steel to eliminate material contamination.
- All models are equipped with external power switch.
- For SHD-25~150, heater pipes are connected by lead sheets and other models are equipped with temperature protector to prevent heater pipe from damaging by blower fault.
- When the actual drying temp. exceeds the set value, the system will cut off the heater power automatically, and the alarm light will flicker and alarm.
- Adopt heat-insulated blower to prolong blower lifespan.
- All models standard equipped with 7-day timer and intermittent operation
- Max. drying temperature is 160°C.
- The series of blowers are equipped with overheat protector.



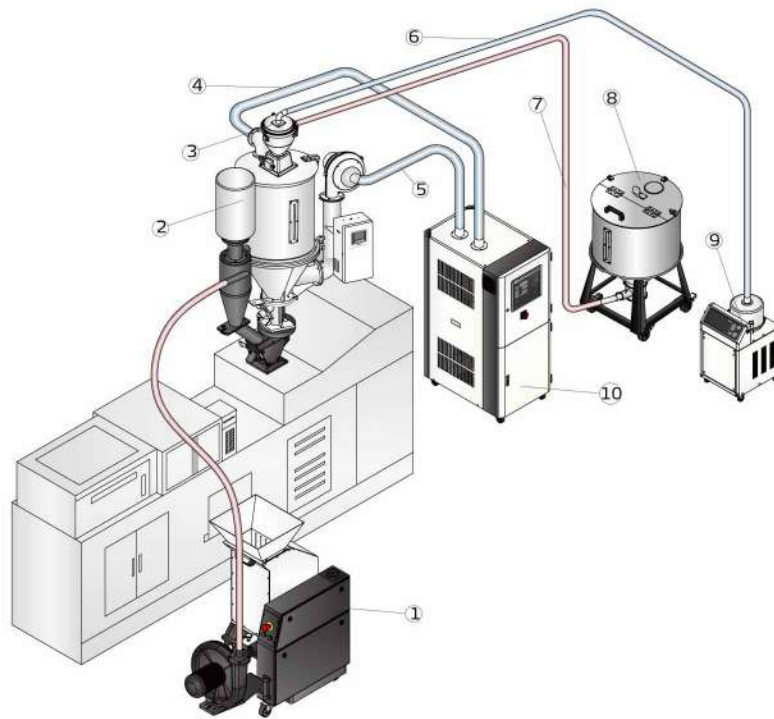
Hopper Inside

■ Options

- For high temp. (180°C) models, add "H" at the end of the model code (applicable to SHD-12E~200E)
- The option of magnetic base is available, add "M" at the end of the model code.
- Optional RS485 interface is available, add "C" at the end of the model code.
- For models optional with 24V microcomputer, RS485 interface and three color alarm light, add "A" at the end of the model code.
- For models optional with SEC-H, add "EC" at the end of the model code.
- The option of insulated hopper is available, add "I" at the end of the model code.

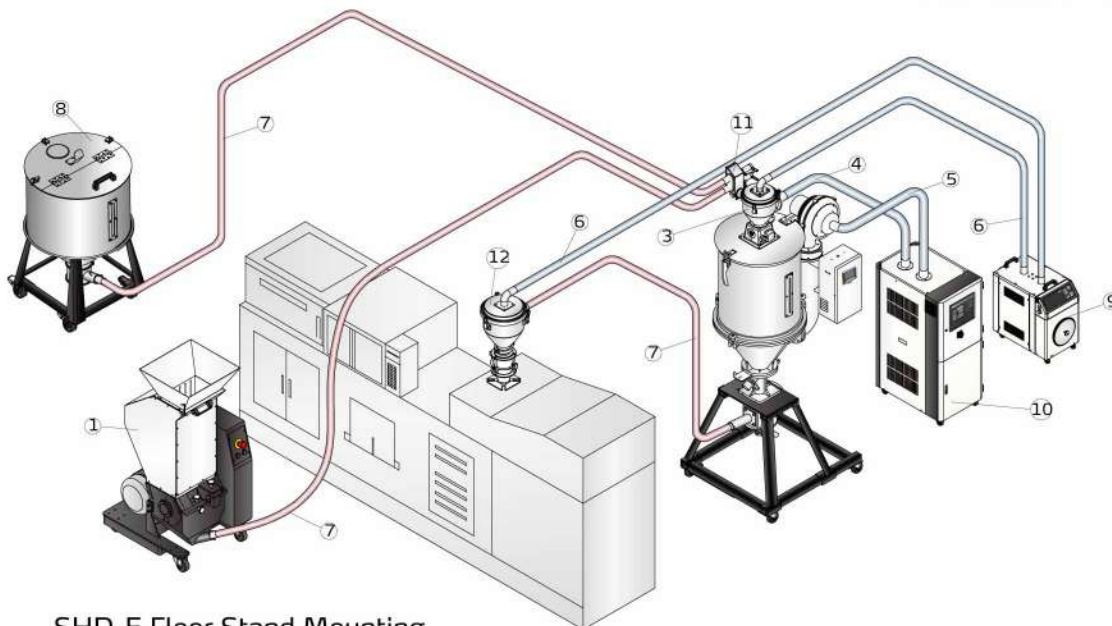
Application

SHD-E hopper dryers are used for drying hygroscopic plastics, such as PS, PP, and ABS etc., which can reach the highest drying temperature up to 160°C. In addition, multiple accessories are optional to realize different functions, such as recycling hot air and filtering metal impurities in the materials. With the floor stand, it makes floor mount of the machine available.



SHD-E Direct Mounting

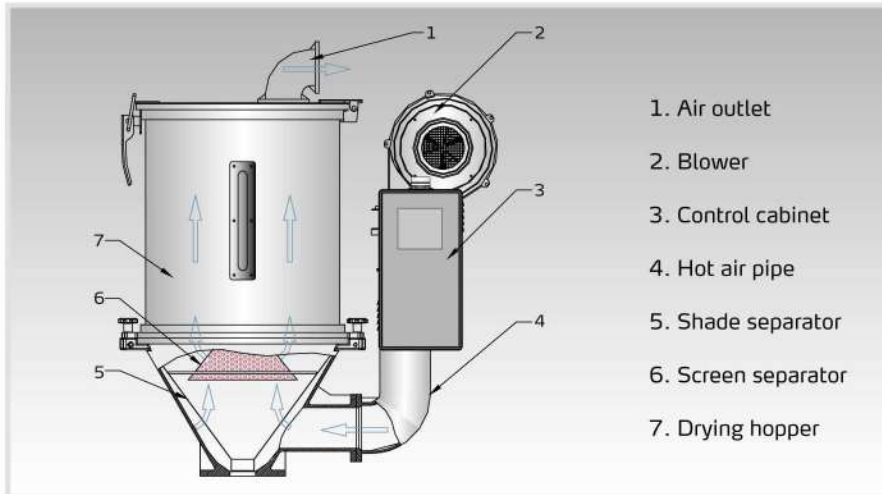
- 1.Low-speed granulator
- 2.30-sec instant recycle
- 3.Vacuum hopper receiver
- 4.Return air
- 5.Dehumidifying air
- 6.Vacuum pipe
- 7.Material pipe
- 8.Material storage tank
- 9.Auto loader
- 10.Honeycomb dehumidifier
- 11.Proportional valve
- 12.Photosensor hopper receiver



SHD-E Floor Stand Mounting

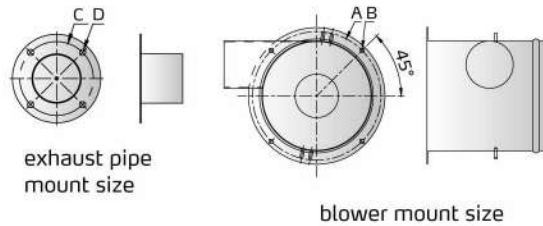
SHD-E Series

Working Principle



Accessory

Hot Air Recycler



Work with hopper dryer to make the hot air form a semi-closed circulated loop and has features as follows:

- 1) Hot air recycling and circulating avoids indoor temperature rising up.
- 2) Keep air in factory clean and ensure good product quality.
- 3) The energy consumption can be reduced by fast heating speed of the hot air circulation, which saves 40% of the energy.

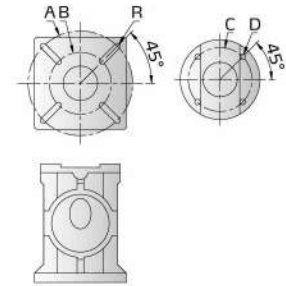
Model	Filtering Barrel Dia. (mm)	Inlet Air Pipe Dia. (inch)	Flange of Air Outlet (inch)	Applied to	mount size			
					A	B	C	D
HAR-12	157		2	SHD-12E	Ø165	4×Ø7EQS	Ø65	4×Ø7EQS
HAR-25EB	157		2.5	SHD-25E	Ø207	4×Ø6EQS	Ø95	4×Ø7.5EQS
HAR-50	177		3	SHD-50E/75E	Ø207	4×Ø7EQS	Ø95	4×Ø7.5EQS
HAR-100EB	219		3	SHD-100E/150E	Ø207	4×Ø7EQS	Ø95	4×Ø7.5EQS
HAR-200EB	249		4	SHD-200E/300E	Ø255	6×Ø6EQS	Ø120	4×Ø8EQS
HAR-400EB	221		4	SHD-400E/500E	Ø255	6×Ø7EQS	Ø120	4×Ø8EQS
HAR-600EB	221		4	SHD-600E	Ø292	6×Ø7EQS	Ø160	4×Ø8EQS

Air exhaust Filter



It can effectively filter the dust air discharged from the dryer to avoid air contamination, and the efficiency reaches 99%.

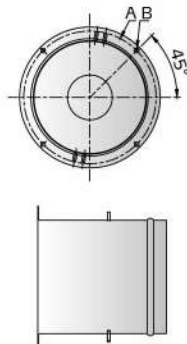
Magnetic Base



Model	Applied to	mount size	
		A	B
ADC-1	SHD-12E	Ø65	4×Ø7EQS
ADC-2	SHD-25E-150E	Ø95	4×Ø6.5EQS
ADC-3EB	SHD-200E-500E	Ø120	4×M6EQS
ADC-3	SHD-600E	Ø160	4×Ø6.5EQS

Model	Applied to	mount size				
		A	B	C	D	R
MB-12EB	SHD-12E	-	-	Ø104	4×Ø9EQS	-
MB-50	SHD-25E-75E	-	-	Ø140	4×Ø9EQS	-
MB-100EB	SHD-100E/150E	Ø213	Ø126	Ø190	4×Ø12EQS	6
MB-200EB	SHD-200E/300E	-	-	Ø255	4×Ø14EQS	-
MB-400EB	SHD-400E/500E	-	-	Ø255	4×Ø16EQS	-
MB-600EB	SHD-600E	-	-	Ø255	4×Ø16EQS	-

Blower Inlet Filter



Model	Filtering Barrel Dia. (mm)	Overall height (mm)	Applied to	mount size	
				A	B
AIF-12	157/6.2"	195/7.7"	SHD-12E	Ø165	4×Ø7EQS
AIF-25EB	157/6.2"	195/7.7"	SHD-25E	Ø207	4×Ø6EQS
AIF-50	177/7.0"	201/7.9"	SHD-50E/75E	Ø207	4×Ø7EQS
AIF-100EB	219/8.6"	191/7.5"	SHD-100E/150E	Ø207	4×Ø7EQS
AIF-200EB	249/9.8"	268/10.6"	SHD-200E/300E	Ø255	6×Ø6EQS
AIF-400EB	221/9.0"	380/15.0"	SHD-400E/500E	Ø255	6×Ø7EQS
AIF-600EB	221/9.0"	380/15.0"	SHD-600E	Ø292	6×Ø7EQS

Notes: refill air input of the blower is adjustable.

Hopper Magnet



Model	Applied to	Aluminum Holder×2(mm)
MR-5	SHD-12E	(148×80×2.3)
MR-7	SHD-25E\50E\75E	(190×80×2.3)
MR-9	SHD-100E\150E\200E\300E\400E\500E	(240×80×2.3)
MR-11	SHD-600E	(290×80×2.3)

SHD-E Series

Material Suction Box/Shut-off Suction Box

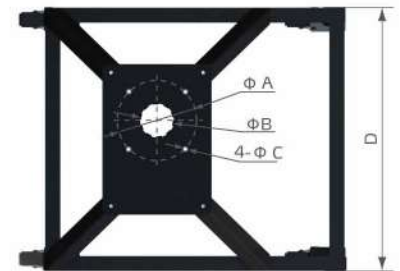


Model	Applied to	SHD-12E-75E	SHD-100E-600E
SBU		-20-38S	-160-38S
SBU		-20-50S	-160-50S
SBU		-20-38S	-160-38D
SBU		-20-50S	-160-50D

- Notes: 1) Install pneumatic shut off valve (add " V " at the end of the model code).
 2) Change into stainless steel material (add " S " at the end of the model code).
 3) Stainless steel polishing (add " P " at the end of the model code).
 4) " S " stands for single tube suction box and " D " stands for double tubes suction box.
 5) It needs to work with the floor stand.

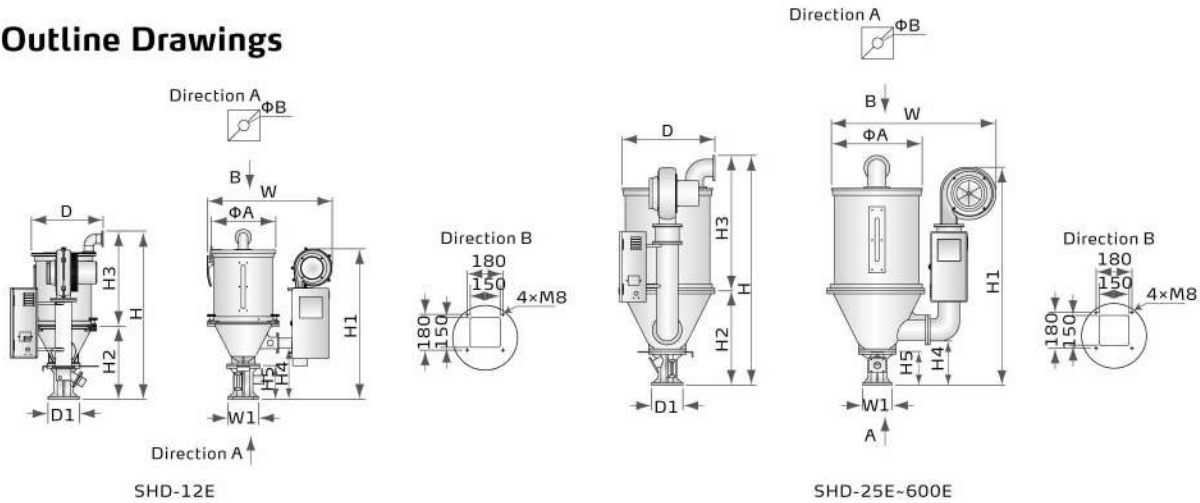
N-Type Floor Stand

With which machines can be easily moved out of workplace which is suitable for the factories with height limited workshops and also it can make operations more convenient. The N-type floor stand can replace any machine that is applicable to the SHD-E series.



Model	Applied to	Dimension H×W×D (mm/inch)	A / B / C (mm/inch)
FSN-50	SHD-12E-75E	600×700×640 / 23.6×27.6×25	140 / 54 / 9 5.5 / 2.1 / 0.4
FSN-100	SHD-100E/150E	615×800×710 / 24.2×31.5×28	210 / 90 / 11 8.3 / 3.5 / 0.43
FSN-200	SHD-200E/300E	680×1000×840 / 26.8×39.4×33	210 / 90 / 11 8.3 / 3.5 / 0.43
FSN-400	SHD-400E-600E	700×1200×1010 / 27.6×47.2×39.8	260 / 116 / 13 10.2 / 4.6 / 0.5

Outline Drawings



Specifications

Model	SHD-12E	25E	50E	75E	100E	150E	200E	300E	400E	500E	600E	
Drying heater (kW)	2.2/3*	3/3.3*	3.9/4.2*	4.2/4.8*	6/6.6*	6.6/7.2*	12/15*	15	18	19.5	21	
Blower (kW)	50Hz	0.1	0.17	0.17	0.17	0.2	0.2	0.35	0.35	0.45	0.45	1.03
	60Hz	0.125	0.205	0.205	0.205	0.24	0.24	0.42	0.42	0.52	0.52	1.23
Loading Capacity(kg)	12	25	50	75	100	150	200	300	400	500	600	
H (mm)	801	989	1112	1247	1316	1636	1852	2272	1933	2383	2174	
H1 (mm)	676	878	924	937	1151	1151	1573	1573	1609	1609	2054	
H2 (mm)	321	396	452	463	536	536	634	634	713	713	821	
H3 (mm)	480	593	660	784	780	1101	1218	1638	1220	1670	1354	
H4 (mm)	165	196	204	213	255	255	287	287	287	287	344	
H5 (mm)	107	150	150	150	173	173	194	194	205	205	245	
W (mm)	646	728	787	874	996	996	1183	1183	1339	1339	1510	
D (mm)	342	413	508	555	627	627	753	753	893	893	1033	
D1 (mm)	108	158	158	158	177	177	230	230	280	280	280	
W1 (mm)	108	148	148	148	177	177	230	230	280	280	280	
ΦA (mm)	327	383	478	535	602	602	745	745	897	897	1050	
ΦB (mm)	42	53	53	53	81	81	110	110	116	116	130	
Weight(kg)	23	25	37	39	55	56	113	116	132	134	205	

Notes:1) Above loading capacity is based on particles of 0.65kg/L(5.5lb/gal) bulk density in diameter of 3-5mm (0.1-0.2 inch)
 2) "*"High-temp. model option up to max. 180
 3)Power: 3 Φ, 400VAC, 50HZ

We reserve the right to change specifications without prior notice.

Shini Group

Addr: No. 23, Minhe St., Shulin Dist.,
New Taipei, Taiwan

Tel: +886 2 2680 9119

Fax: +886 2 2680 9229

Email: shini@shini.com

Factories:

- Taiwan
- Dongguan
- Pinghu
- Ningbo
- Chongqing
- Pune