



## Self-adaption Energy-saving Hopper Dryer

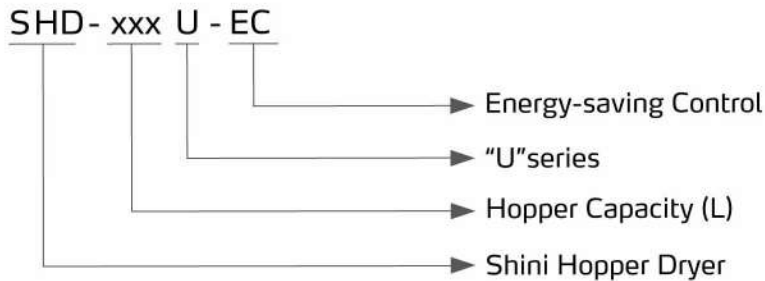
SHD-80U-EC



Refer carefully to the manual before operation.

# SHD-U-EC Series

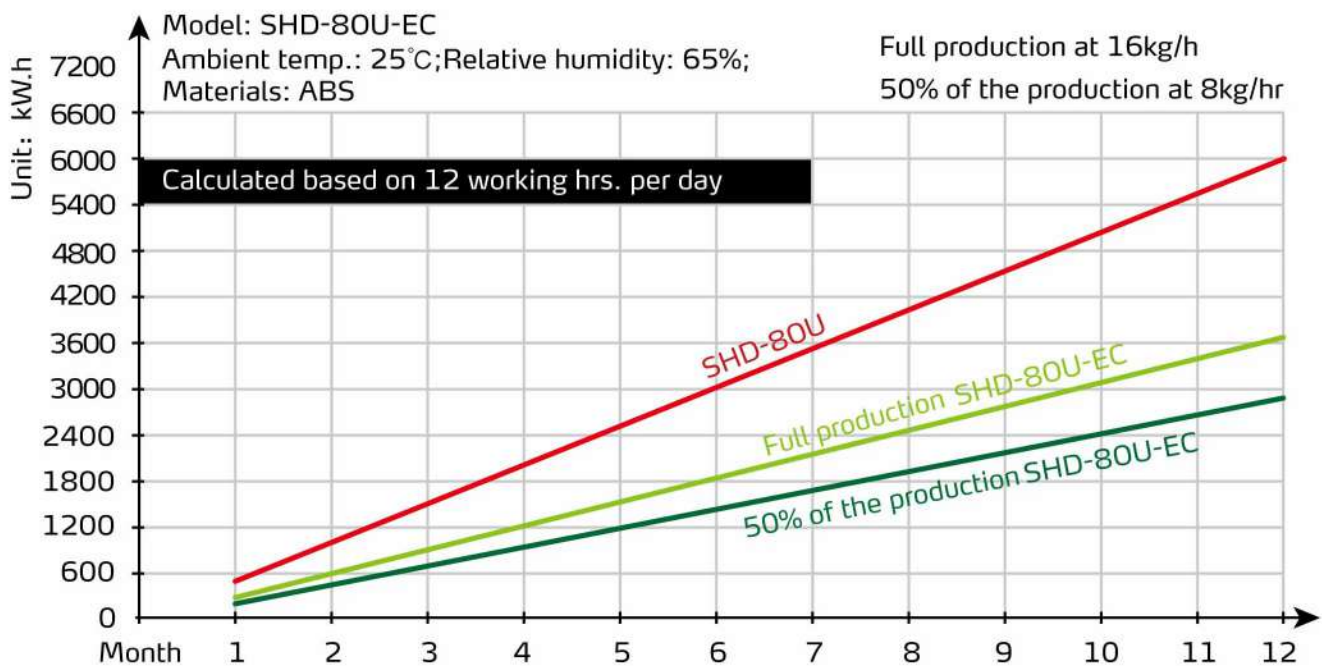
## ■ Coding Principle



## ■ Features

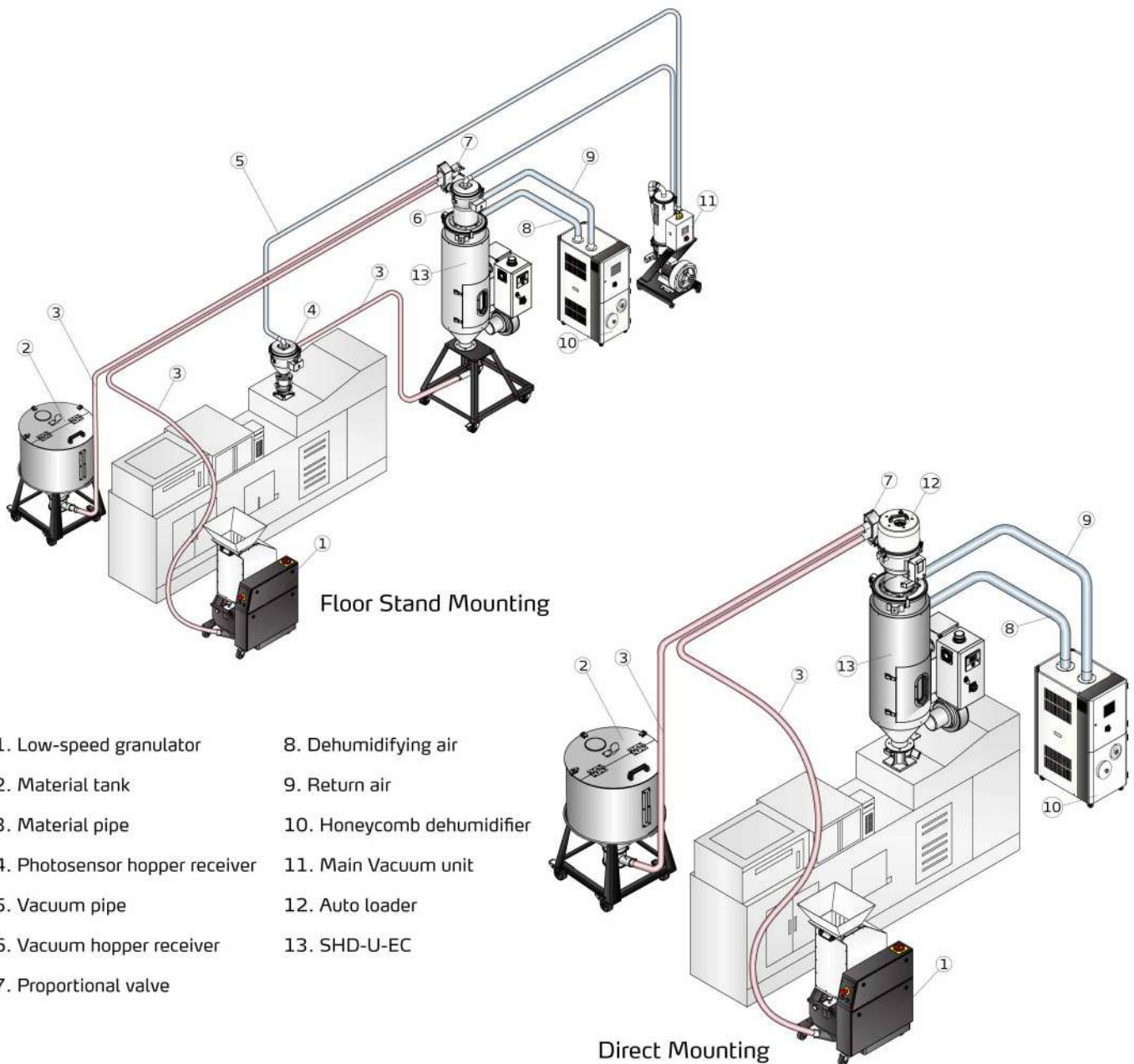
- The unit can realize precision temperature control via a microcomputer PID controller.
- LCD display for easy operation;
- The standard weekly timer can dry the material in advance to facilitate production.
- Overheat protection: When the drying temperature exceeds the protection value, the unit can cut off the heater power for safe operation.
- RS485 communication interface to realize industrial 4.0.
- The series of blowers are equipped with overheat protector.
- Down-blowing structure design reduces the difference between inlet air temperature and heater temperature to ensure stable inlet air temperature.
- All material contact surfaces are made of stainless steel to eliminate material contamination.
- Double-layer insulation structure ensures uniform temperature with less heat loss.

**The unit can automatically regulate the drying airflow and temperature according to actual material throughput to realize energy-saving purposes and prevent over-drying. According to the materials and throughputs, the unit can realize 15%~65% energy reduction than the standard unit.**



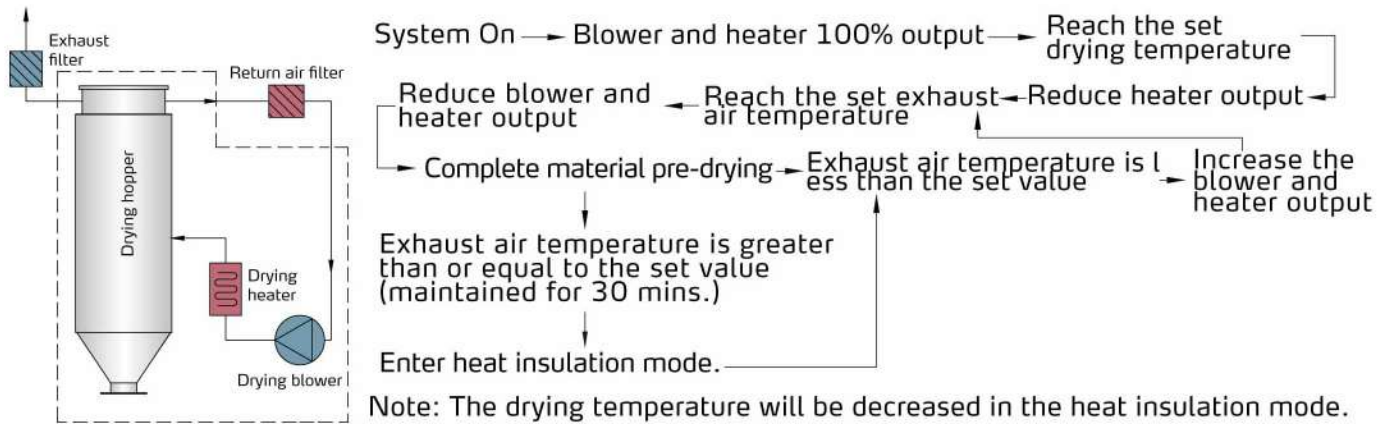
## ■ Application

SHD-U-EC hopper dryer can efficiently dry most of standard hygroscopic plastics as to ensure high quality molding products. The concise structure makes it easy to mount on the IMM, and the drying hopper can also be directly mounted on the floor with the floor stand. Besides, there are multiple optional accessories to meet different production demands.

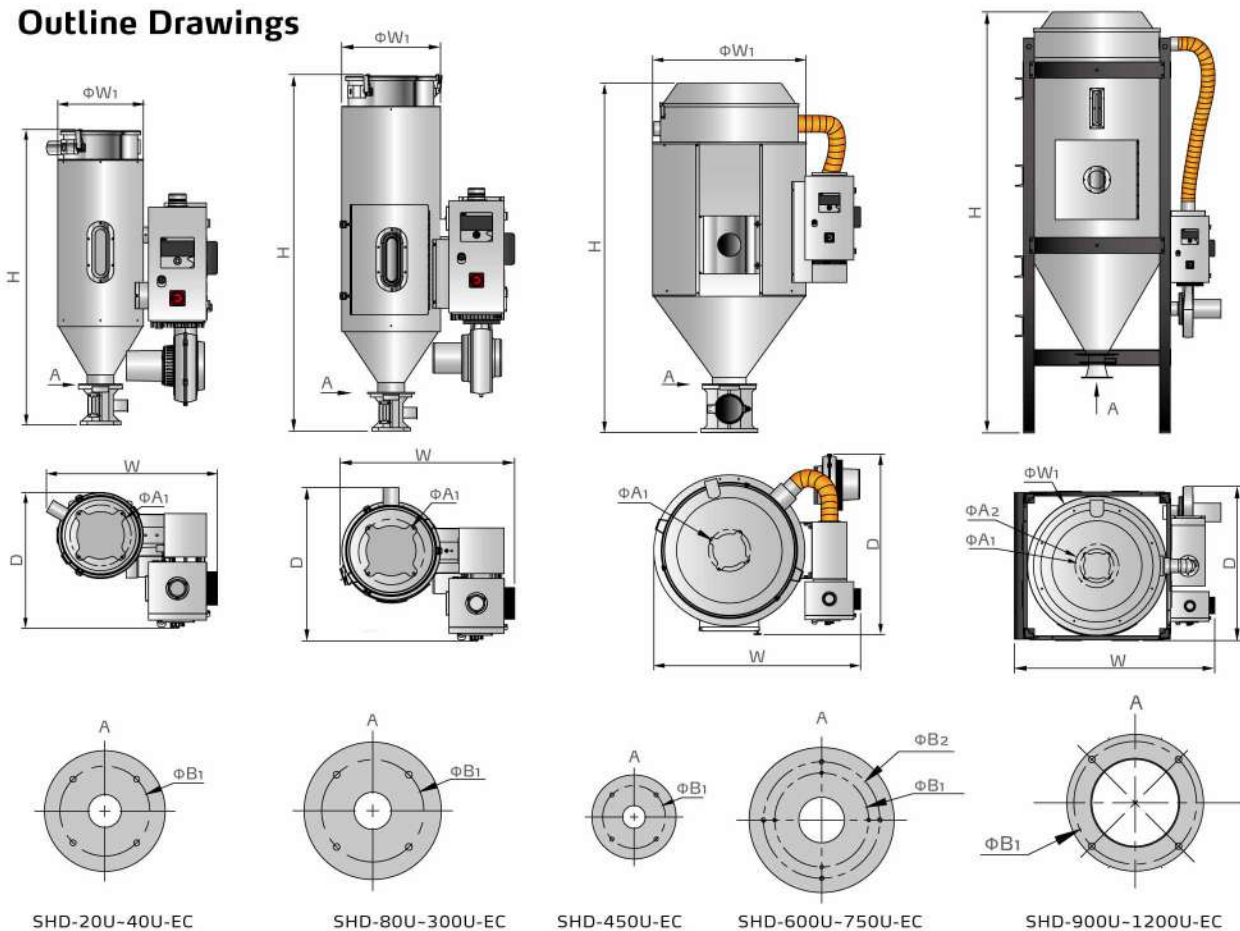


# SHD-U-EC Series

## Working Principle

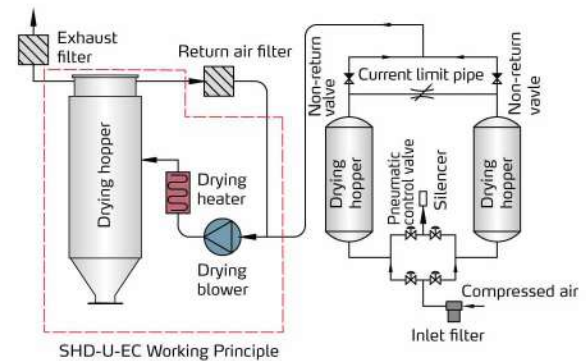


## Outline Drawings



## Options

- Optionally equipped with heatless regenerative air dryer, which could offer low dew point air at room temperature and speed up the drying of material, Add "HD" at the end of the mode code.
- For models with hopper polished inside, add "P" at the end of the mode code.



SHD-U-EC Working Principle

## Specifications

Model	Heater (kW)	Blower(kW)	Dimension (mm) H × W × D	W1 (mm)	Air Inlet Pipe (inch)	Air Outlet Pipe (inch)	Weight (kg)
SHD-20U-EC	2.2	0.1	945×570×543	290	1.5	1.5	40
SHD-40U-EC	3	0.12	1115×650×515	325	2	2	70
SHD-80U-EC	3.9	0.12	1425×700×615	394	2.5	2.5	85
SHD-120U-EC	3.9	0.12	1400×775×605	473	2.5	2.5	100
SHD-160U-EC	6	0.12	1795×775×605	473	2.5	2.5	90
SHD-230U-EC	6	0.12	1695×875×650	574	3	3	100
SHD-300U-EC	12	0.18	2025×875×650	574	3	3	130
SHD-450U-EC	18	0.18	1920×995×710	694	3	3	160
SHD-600U-EC	18	0.55	1830×1250×960	914	4	4	200
SHD-750U-EC	18	0.55	2080×1250×960	914	4	4	220
SHD-900U-EC	18	0.55	2330×1410×1050	1054	4	4	410
SHD-1200U-EC	24	1.1	2765×1410×1050	1054	4	4	560

### Flange Mount Size

SHD-	20U-EC	40U-EC	80U-EC 120U-EC	160U-EC	160U-EC 300U-EC	450U-EC	600U-EC 750U-EC	900U-EC 1200U-EC
Φ A1	231.5	231.5	254.5	254.5	254.5	254.5	254.5	254.5
Φ A2	-	-	-	-	-	-	-	330
Φ B1	140	140	140	140	210	210	210	210
Φ B2	-	-	-	-	-	-	260	-

Notes: Power: 3Φ, 230/400/460/575VAC, 50/60Hz.

We reserve the right to change specifications without prior notice.

## Shini Group

Addr: No. 23, Minhe St., Shulin Dist.,  
New Taipei, Taiwan

Tel: +886 2 2680 9119

Fax: +886 2 2680 9229

Email: [shini@shini.com](mailto:shini@shini.com)

### Factories:

- Taiwan
- Dongguan
- Pinghu
- Ningbo
- Chongqing
- Pune

2023-11-15-04 Copyrights Reserved.

[www.shini.com](http://www.shini.com)